

ČEILÍNĚSPĚÁLĚŘŠ

CSL 630

NEW

2 CHANNELS

20 W

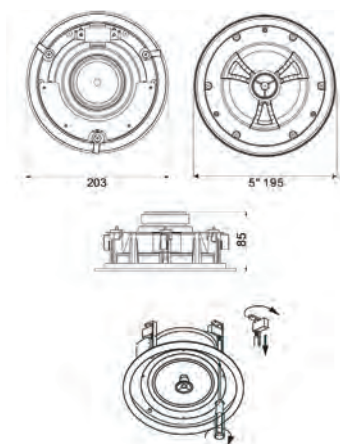
100 V



DESCRIPTION

20 W 2-way flush-mount ceiling loudspeaker for public spaces.

- Quick and easy to fit, flat magnetic metal grille with ABS surround.
- Ideal for creating high-quality, economical installations



SPECIFICATIONS

SPECIFICATIONS	CSL 630	CSL 630 N
Type	2-way ceiling loudspeaker	
Colours	White	Black
Material	Flat magnetic metal grille	
Loudspeaker	12 cm	
Sound pressure	91 dB / 1 W / 1 m	
Frequency band	80 - 20 000 Hz	
Open angle	180°	
Open surface	At 4 or 5 m high: 65 to 100 m ²	
Line power 100 V	20 W - 10 W - 5 W	
Impédance 100 V	8 Ω	
Connection	On wire	
Dimensions (Ø x h)	Ø 203 x 85 mm	
Weight	2,30 kg	
Built-in diameter	Ø160 mm	

MODEL DESIGNATION

White 2-way ceiling speaker	CSL 630 (code 02285)
Black 2-way ceiling loudspeaker	CSL 630 N (code 02350)